

# 4G PCB External Monopole Antenna

## FEATURES



- Designed for both Indoor & Outdoor applications
- Wide band Antenna
- Full 4GLTE backward compatibility



The MyAntenna M02-0500550R0A range of antennas are designed to decrease the lifetime cost of M2M and mobile device installations by offering a robust, effective antenna that is easy to install and lasts the lifetime of the installation without the need for maintenance.

## PRODUCTS

Part No.	Weight	Dimensions (L x W x H)	Connector	Color
M02-0500550R0A	22g	Φ13*198mm	SMA-Male	Black
M02-0500570R0A	22g	Φ13*198mm	RP-SMA-Male	Black

## SPECIFICATIONS

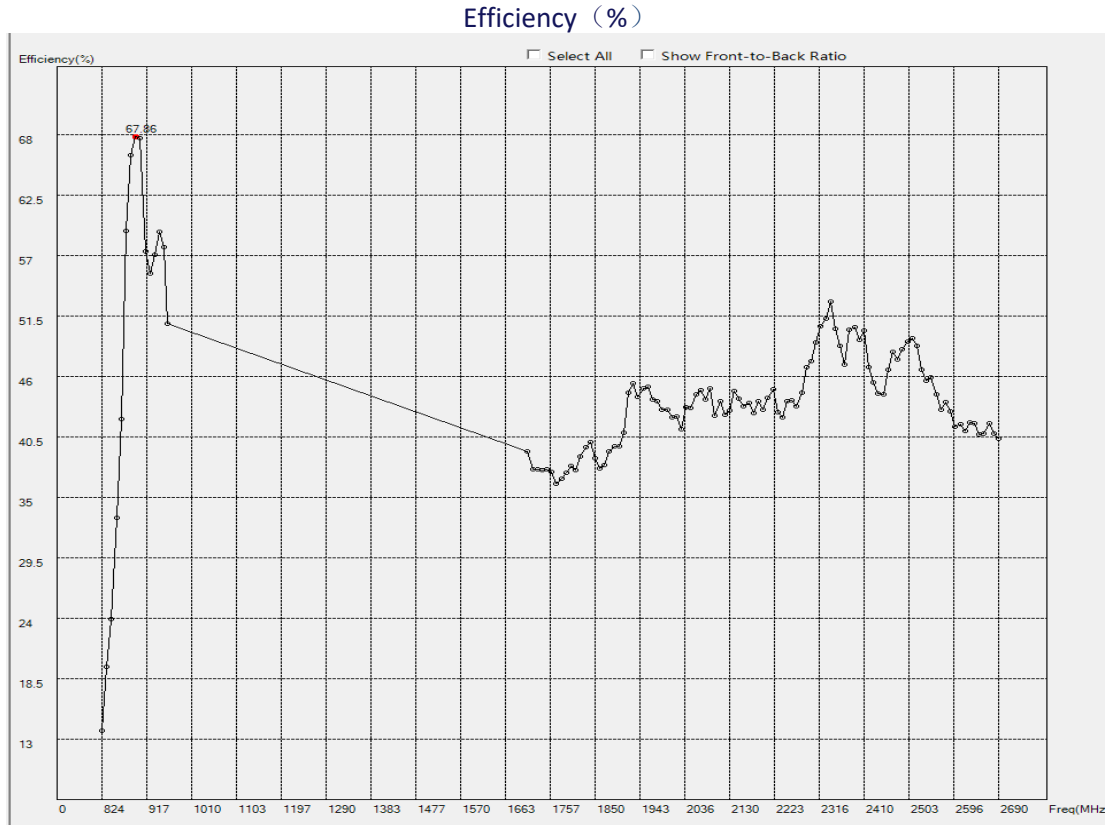
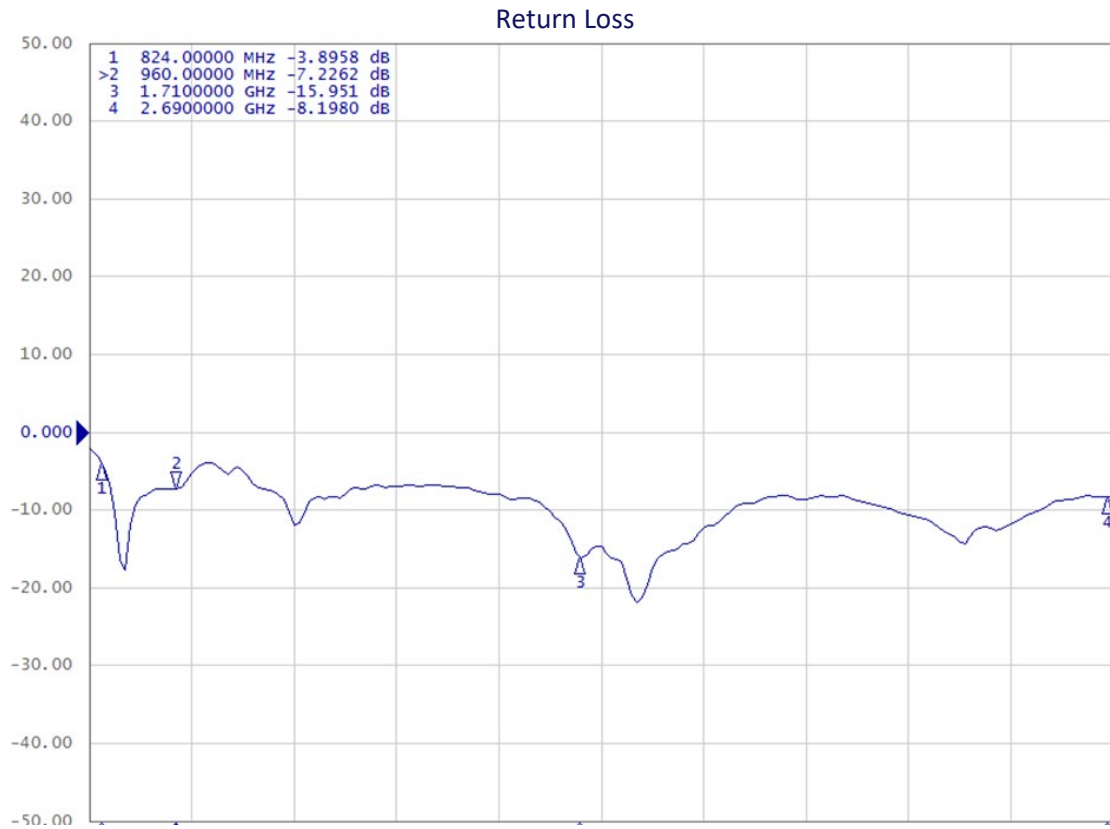
PARAMETER	SPECIFICATION	
Frequency Bands, MHz	824-960	1710-2690
VSWR (Max)	3.0:1	3.0:1
Peak Gain, dBi (Typ)	Up to 3.8	
Nominal Impedance	50 Ω	
Max Power (ambient temp of 25°C)	10 Watts	
Azimuth Beam Width (deg)	Omnidirectional	
Polarization	Linear, Omnidirectional	
Radome	PC, Black	
Storage Temperature Range (°C)	-40° C to +85° C	
Operational Temperature Range (°C)	-30° C to +80° C	
Material Substance Compliance	REACH/RoHS Compliant	
HSCODE	8517707090	
USHSCODE	8517620010	
UPC		

MyAntenna RF Technology Co., Ltd

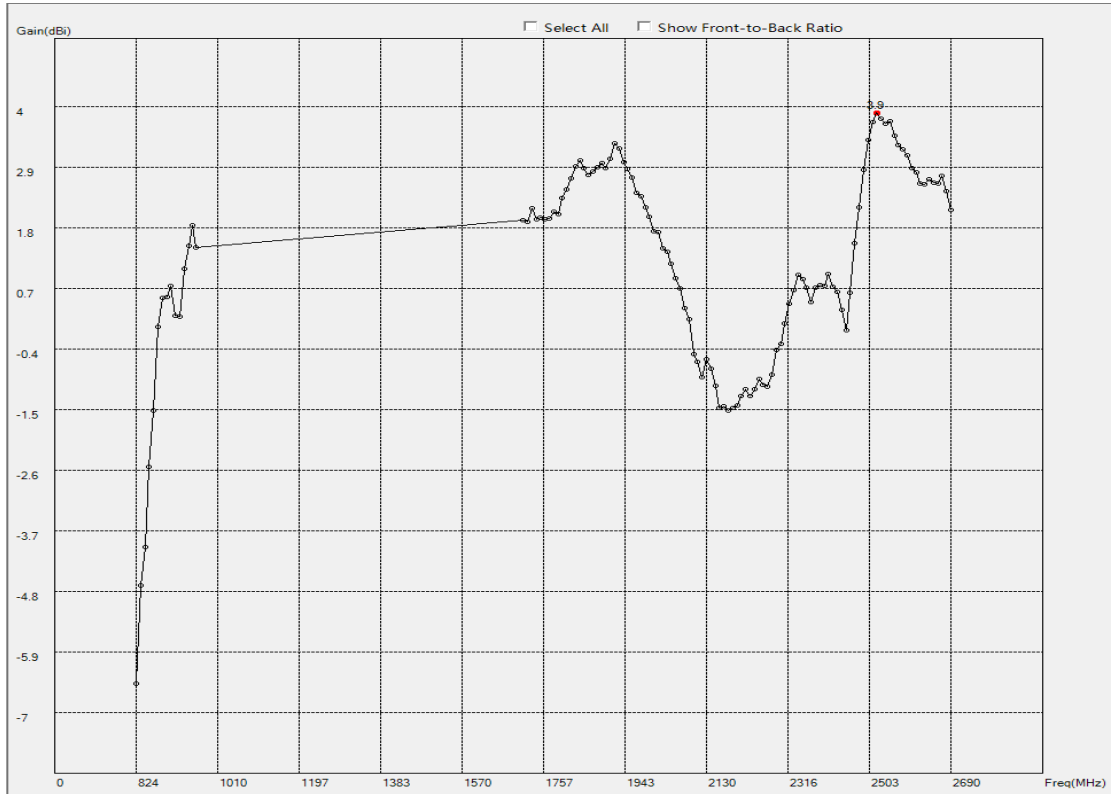
ADD: No.RM 405, R3-A Building, Shenzhen High-Tech Park, Nanshan, Shenzhen, P.R. China.

TEL: +86-0755-86503881 FAX: +86-0755-27801677 E-mail: [nfc@myantenna.com](mailto:nfc@myantenna.com)

ELECTRICAL DATA

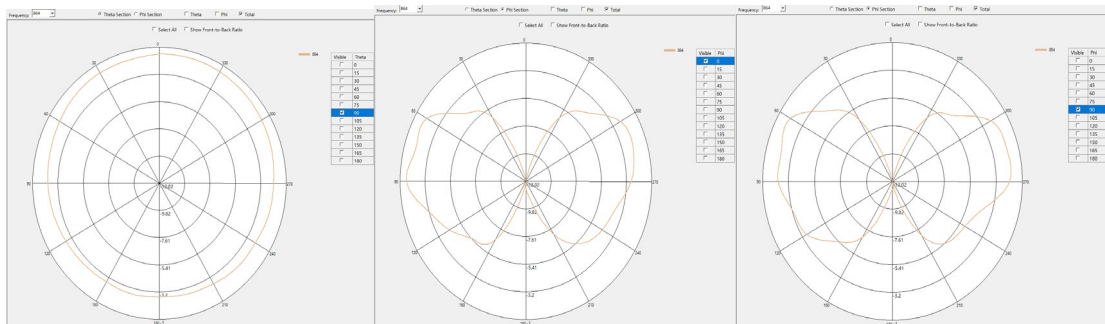


Peak Gain (dBi)

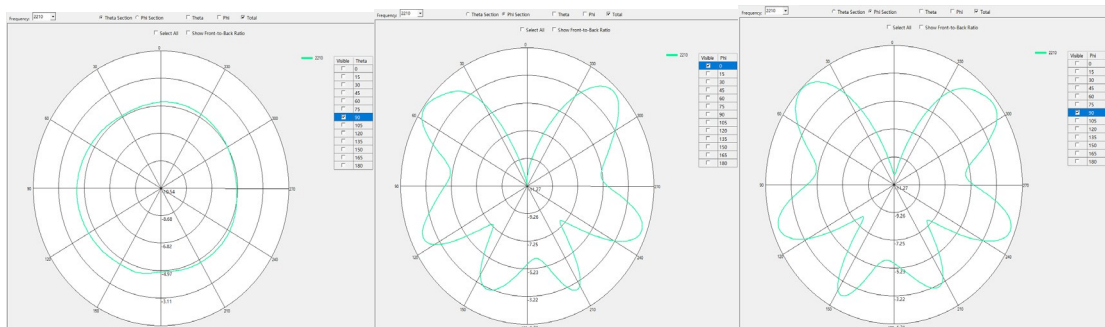


RADIATION PATTERNS

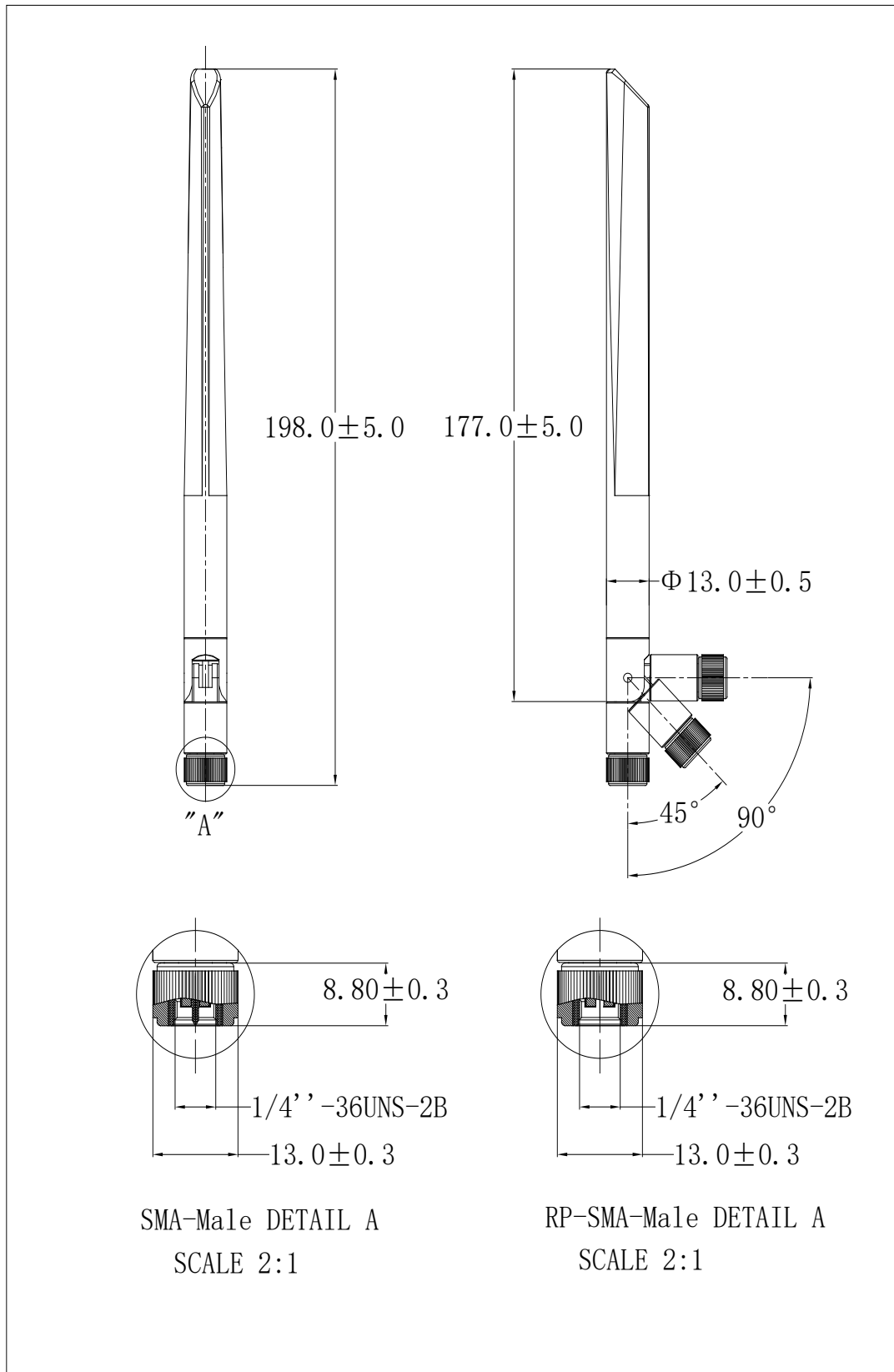
2D Radiation Pattern at 864MHz



2D Radiation Pattern at 2210MHz



HOUSING CONFIGURATIONS



Abousty™ is owned by Shenzhen MyAntenna RF Technology Co., Ltd. (often abbreviated as MyAntenna).