

# 2.4G Paddle Monopole Antenna

## FEATURES



- Designed for both Indoor & Outdoor applications
- Ground Plane dependent
- Full 2.4G backward compatibility
- 3.08 dBi Peak Gain
- Small Form Factor



The MyAntenna M02-0600340R0A range of antennas are designed to decrease the lifetime cost of M2M and mobile device installations by offering a robust, effective antenna that is easy to install and lasts the lifetime of the installation without the need for maintenance.

## PRODUCTS

Part No.	Weight	Dimensions (L x W x H)	Connector	Color
M02-0600340R0A	6g	50.5*17.2*10.4mm	SMA-Male	White
M02-0600350R0A	6g	47.6*17.2*8.2mm	SMA-Male	White

## SPECIFICATIONS

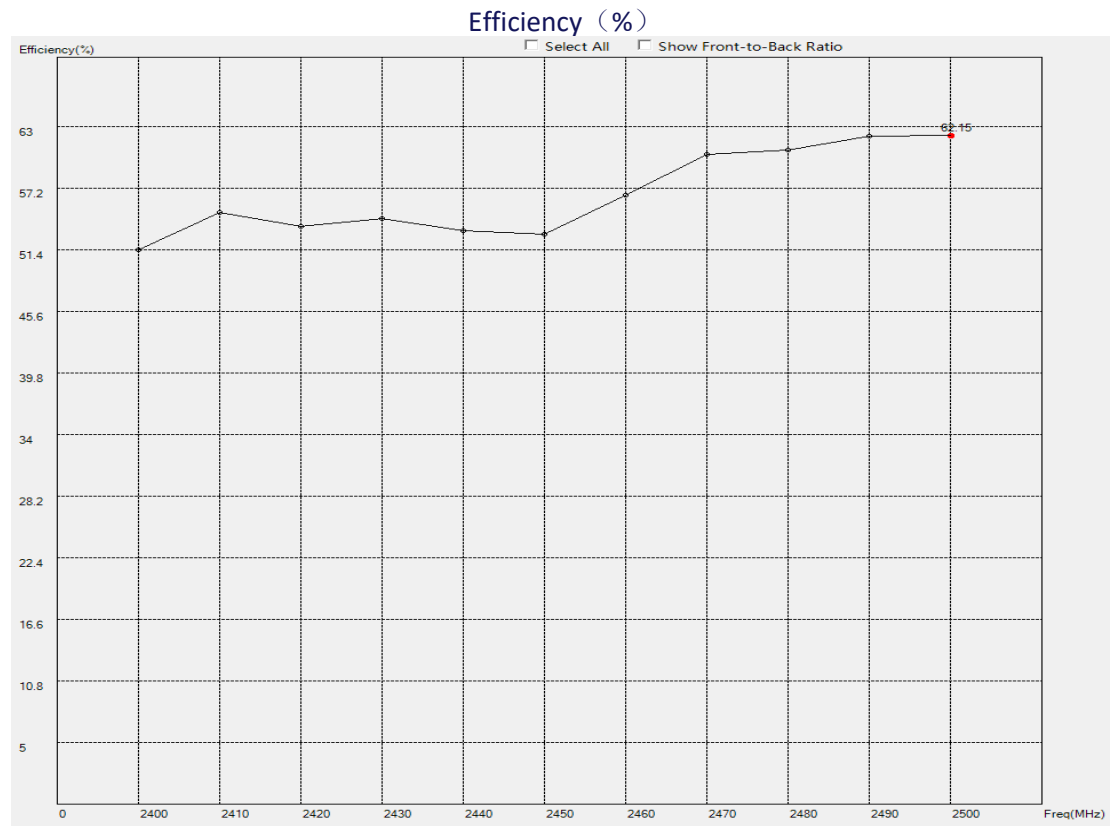
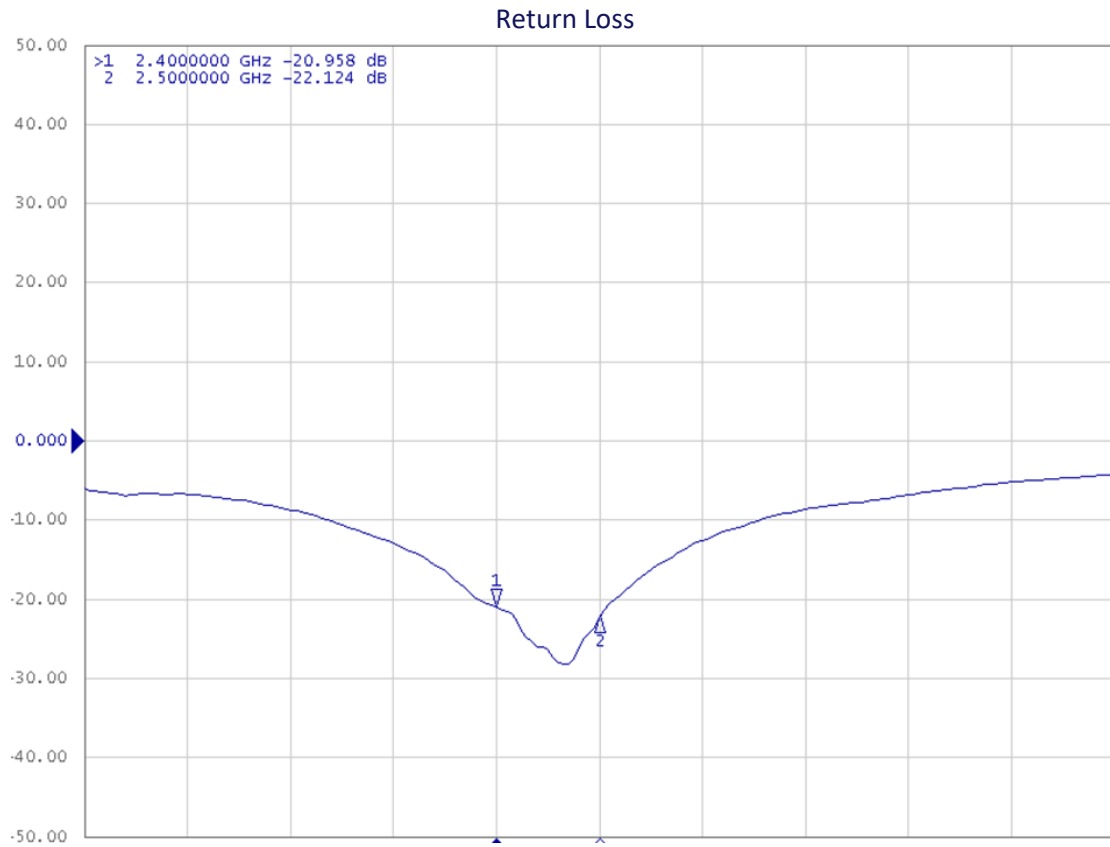
PARAMETER	SPECIFICATION
Frequency Bands, MHz	2400-2500
VSWR (Max)	3.0:1
Peak Gain, dBi (Typ)	Up to 3.08
Nominal Impedance	50 $\Omega$
Max Power (ambient temp of 25°C)	10 Watts
Azimuth Beam Width (deg)	Omnidirectional
Polarization	Linear
Radome	TPE, Black
Storage Temperature Range (°C)	-40° C to +85° C
Operational Temperature Range (°C)	-30° C to +80° C
Material Substance Compliance	RoHS Compliant (REACH-Compliant Customizable)
HSCODE	8517707090
USHSCODE	8517620010
UPC	

MyAntenna RF Technology Co., Ltd

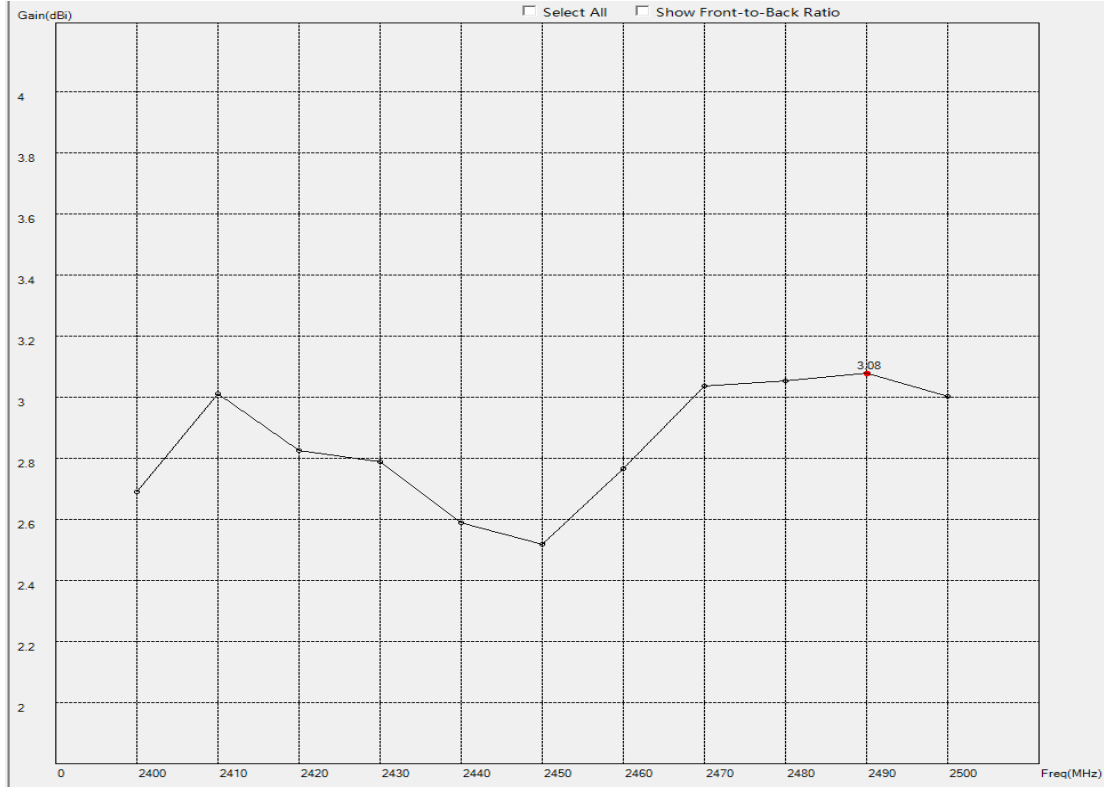
ADD: No.RM 405, R3-A Building, Shenzhen High-Tech Park, Nanshan, Shenzhen, P.R. China.

TEL: +86-0755-86503881 FAX: +86-0755-27801677 E-mail: [nfc@myantenna.com](mailto:nfc@myantenna.com)

ELECTRICAL DATA

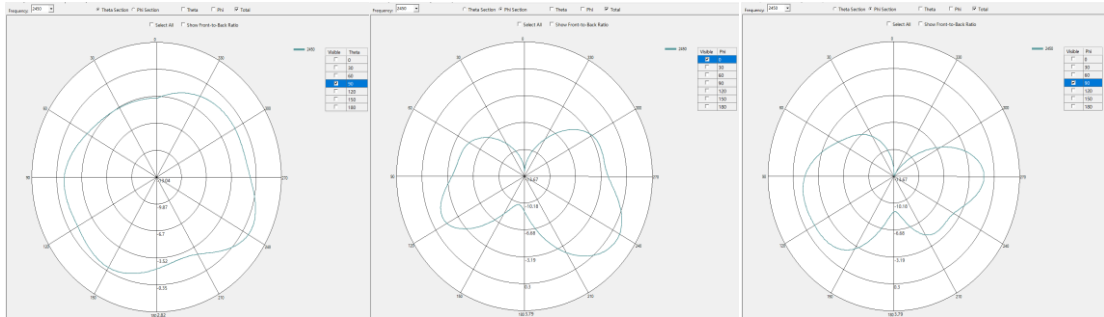


Peak Gain (dBi)



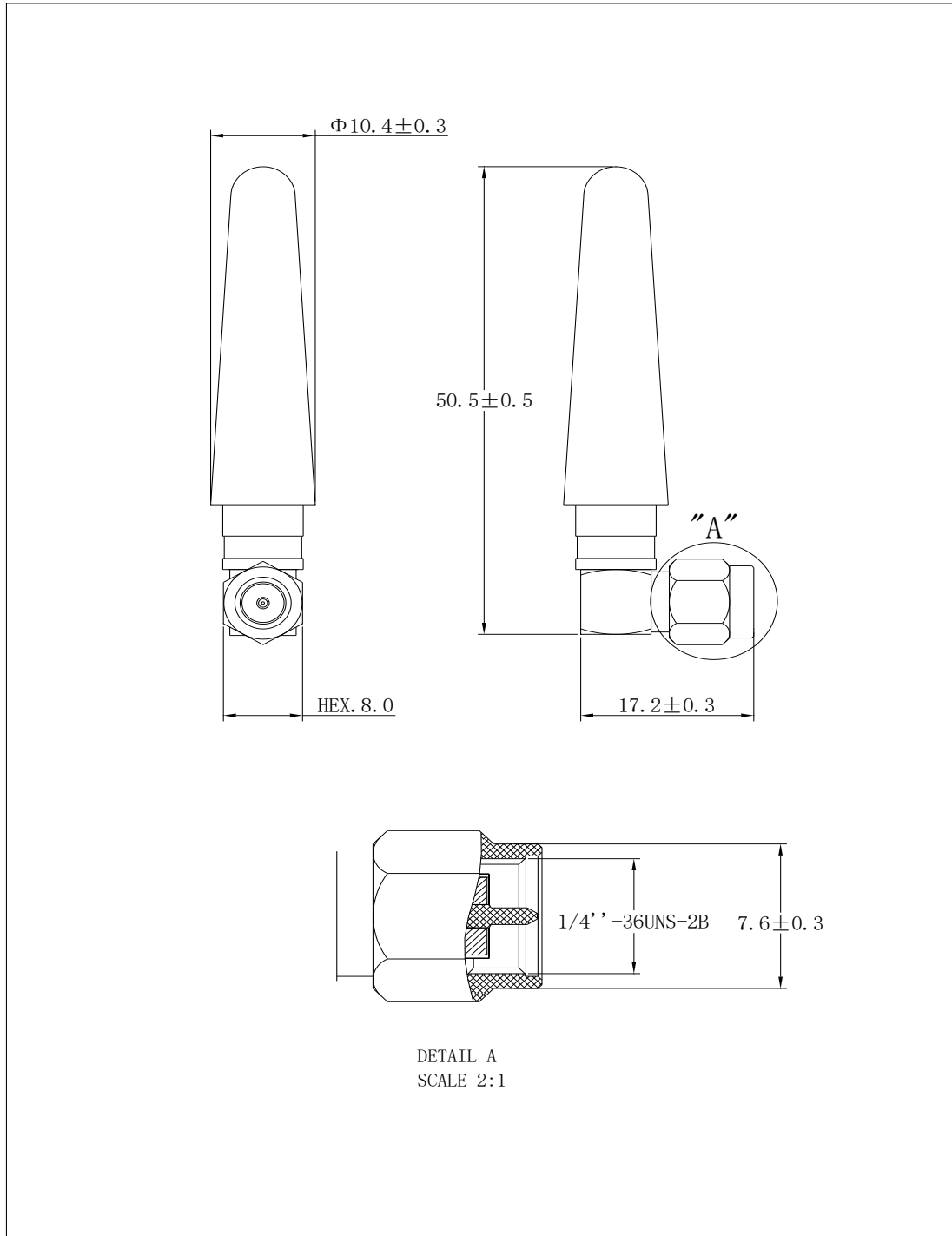
RADIATION PATTERNS

2D Radiation Pattern at 2450MHz

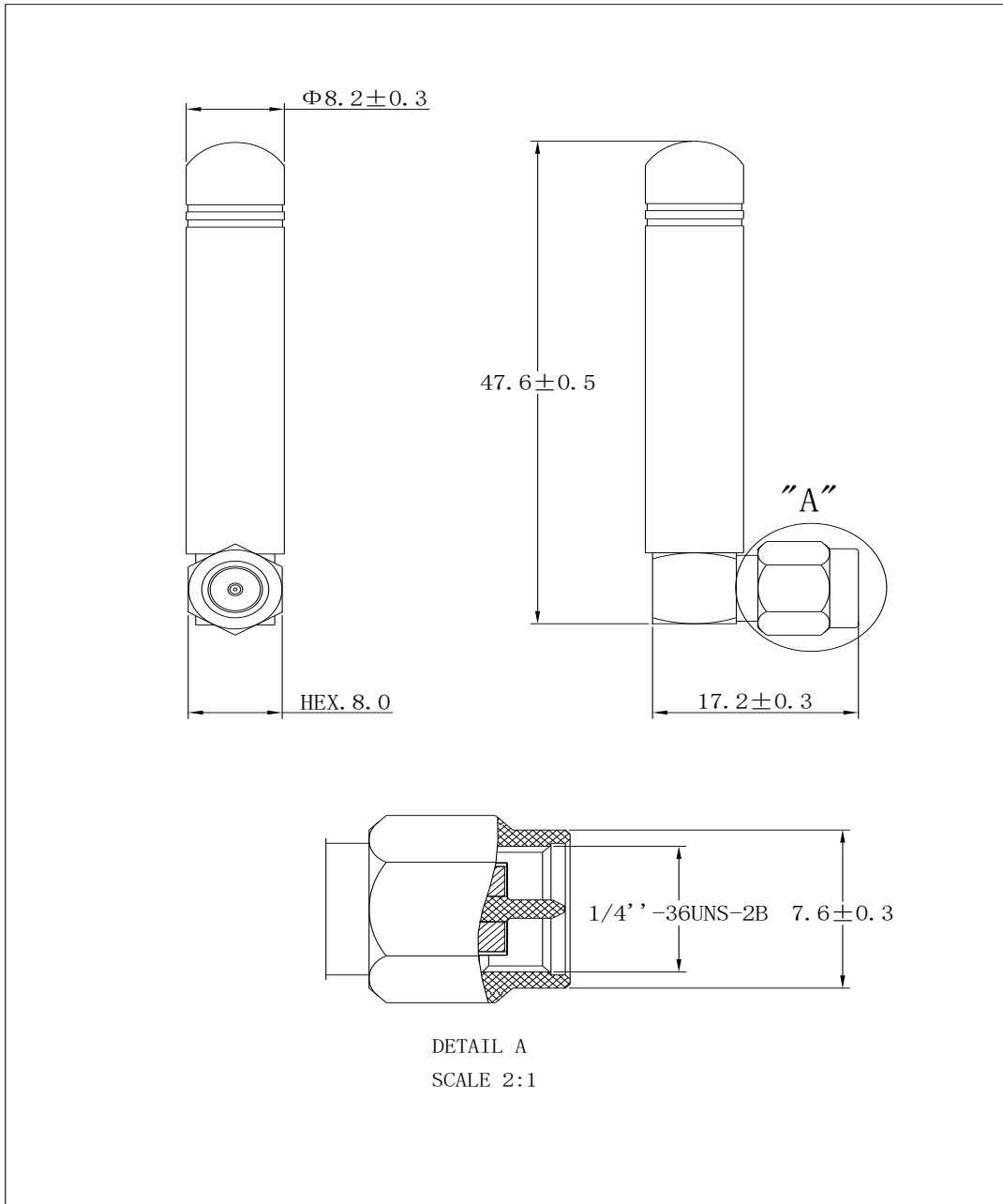


HOUSING CONFIGURATIONS

M02-0600340R0A



M02-0600350R0A



Aboosty™ is owned by Shenzhen MyAntenna RF Technology Co., Ltd. (often abbreviated as My Antenna).